

# Dura-Flux™

## 350 Amp Flux-Cored Guns

Issued June 2007 • Index No. SPEC DF-1.1

**350 Amp Dura-Flux™ gun** shown with Centerfire™ contact tip, 6 inch neck with 60° bend and trigger guard.



**Built for welders using self-shielded flux-cored wire,** Dura-Flux guns are designed for exceptional performance and comfort in the most demanding industrial environments.

### All Guns are Not Created Equal.

A welding gun should be durable, easy to use and customized to your specific application. Our guns put you in control: you choose the options you need and we'll build a gun to last. We even ship most of our guns within 24 hours.

**Centerfire™ contact tips are easy-to-use and high performing** - they provide better arc starts, less spatter and more consistent welds - and also last up to three times longer than competitive brands.

**Necks available in multiple length options** for optimal weld accessibility and improved operator comfort.

**Trigger is sealed from outside contaminants, simply replaced and absorbs less heat than a metal trigger** for long-life, greater arc-on time and lower heat output.

**Trigger guard instead of full size heat shield** allows access to tight spaces while protecting trigger from damage.

**Ultra heavy-duty steel monocoil power cables** are highly resistant to kinking for exceptional wire feed in abusive environments.

**Back end with durable rigid strain relief and easily interchangeable direct plugs and trigger leads** connect to wire feeders and machines from major manufacturers and allow simple maintenance.

**Power pin liner changes quickly without set screw** for user-friendly maintenance and reduced downtime.

Flux-Cored Gun Part Numbers - 350 Amp				
Part Number	Cable Length	Neck	Direct Plug	Duty Cycle
FLX3510AM	10' (3.05 m)	6" (15.2 cm) x 60°	Miller	60% NEMA at 350 Amps
FLX3515AM	15' (4.57 m)	6" (15.2 cm) x 60°	Miller	
FLX3510DM	10' (3.05 m)	12" (30.5 cm) x 30°	Miller	
FLX3515DM	15' (4.57 m)	12" (30.5 cm) x 30°	Miller	
FLX3510AL	10' (3.05 m)	6" (15.2 cm) x 60°	Lincoln	
FLX3515AL	15' (4.57 m)	6" (15.2 cm) x 60°	Lincoln	
FLX3510DL	10' (3.05 m)	12" (30.5 cm) x 30°	Lincoln	
FLX3515DL	15' (4.57 m)	12" (30.5 cm) x 30°	Lincoln	

All guns listed above are compatible with 1/16" - 3/32" (1.6 mm - 2.4 mm) wire.

Made with  
Pride and without  
Compromise in the **USA**

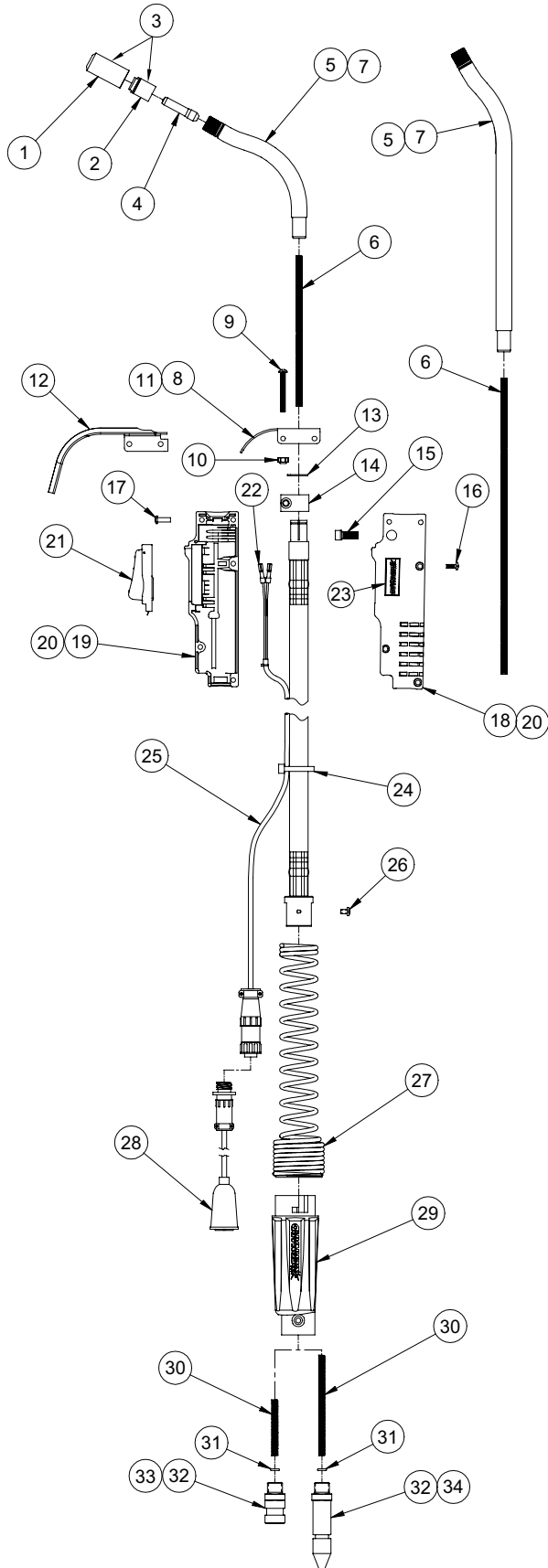
### Bernard®

An Illinois Tool Works Company  
449 West Corning Road, Box 667  
Beecher, Illinois 60401 USA

Phone: 800-946-2281 (US Only) 708-946-2281 (Outside US)  
Fax: 708-946-6726  
For more information, visit us at [BernardWelds.com](http://BernardWelds.com)

**BERNARD®**

# Replacement Parts List



ITEM #	PART #	DESCRIPTION
1	7010024	Insulator, Tip
2	7010026	Tip Holder, Slip-On
3	1880229	Tip Holder Kit (Includes: (1) #1, (1) #2)
4		Contact Tip
	T-062	1/16" (1.6 mm)
	T-072	.072" (1.8 mm) (Included w/Gun)
	T-078	5/64" (2.0 mm) (Included w/Gun)
	T-094	3/32" (2.4 mm) (Included w/Gun)
5		Neck
	7010039	6" (15.2 cm) x 30°
	7010029	6" (15.2 cm) x 60° (Pictured)
	7010037	8" (20.3 cm) x 90°
	7010030	12" (30.5 cm) x 30° (Pictured)
	7010038	12" (30.5 cm) x 60°
6		Liner, Neck
	7010031	Liner, 6" (15.2 cm)
	7010032	Liner, 12" (30.5 cm)
7		Neck Replacement Kit (Includes: (1) #6, (1) #5)
	1880232	6" (15.2 cm) x 30°
	1880222	6" (15.2 cm) x 60° (Pictured)
	1880230	8" (20.3 cm) x 90°
	1880223	12" (30.5 cm) x 30° (Pictured)
	1880231	12" (30.5 cm) x 60°
8	7010034	Trigger Guard
9	2280047	Screw, #8-32 x 1-1/2 (2 Req'd)
10	2030030	Nut, #8-32 (2 Req'd)
11	1880224	Trigger Guard Kit (Includes: (1) #8, (2) #10, (2) #9)
12	1760002	Heat Shield (Optional)
13	2250017	Snap Ring
14	198820	Clamp
15	2280046	Screw, 1/4-20, Hex Socket
16	4209	Handle Screw (3 Req'd)
17	2030004	Post Fastener (3 Req'd)
18	1780071	Handle Half, Right
19	1780072	Handle Half, Left
20	1880225	Handle Kit (Includes: (1) #19, (1) #18, (3) #17, (3) #16)
21	5662	Switch Assy, Trigger
22	2660001	Terminal, Quick Disconnect (2 Req'd)
23	1890173	Label, Bernard
24	1520025	Cable Tie
25		Cord Assembly
	7010018	10' (3.05 m) Cord
	7010015	15' (4.57 m) Cord
26	W11127-002	Screw, Strain Relief
27	2520056	Spring, Strain Relief
28	SCL1N	Trigger Cord Adapter (Lincoln Only)
29	2520047	Rigid Strain Relief
30		Liner, Power Pin
	7010035	Liner, Power Pin, Miller
	7010036	Liner, Power Pin, Lincoln
31	2040017	O-Ring
32		Power Pin
	2200116	Power Pin, Miller
	2200117	Power Pin, Lincoln
33	1880227	Lincoln Power Pin Kit (Includes: (1) #28, (1) #32, (1) #30, (1) #31)
34	1880226	Miller Power Pin Kit (Includes: (1) #32, (1) #30, (1) #31)