

# Q™ Neck Coupler and Grip

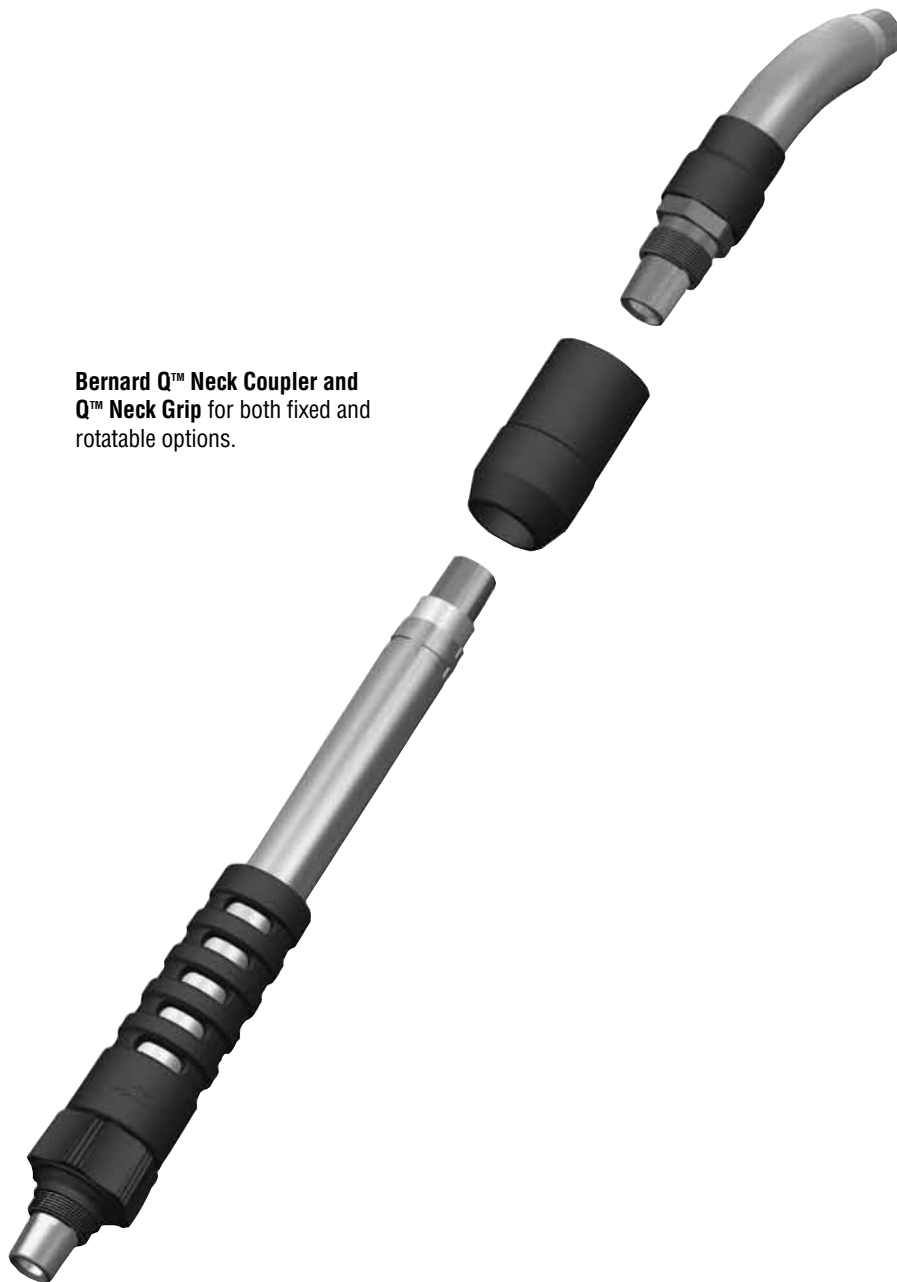
## MIG Welding Accessory

Issued Jan. 2009 • Index No. SPEC NC-1.1

### The Right Tool for the Job.

To improve comfort and minimize downtime, we offer a wide variety of interchangeable necks for greater flexibility and better weld puddle visibility.

**Bernard Q™ Neck Coupler and Q™ Neck Grip** for both fixed and rotatable options.



### Neck Coupler

- Part Number: QT-CPL
- Designed to connect any two Q™ necks
- Provides flexibility and cost savings - minimizes the need for special order necks

### Neck Grip

- Part Number: 1840067
- High temperature rubber sleeve
- Designed to help user hold neck in a steady position
- Provides operator with improved accuracy and reduced heat exposure
- Improves overall weld quality and reduces operator fatigue

Made with  
Pride and without  
Compromise in the **USA**

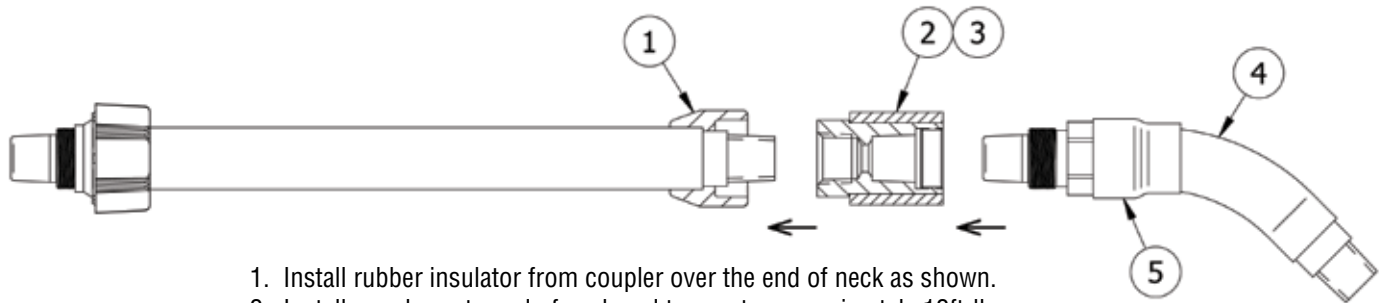
### Bernard®

An Illinois Tool Works Company  
449 West Corning Road, Box 667  
Beecher, Illinois 60401 USA

Phone: 800-946-2281 (US Only) 708-946-2281 (Outside US)  
Fax: 708-946-6726  
For more information, visit us at [BernardWelds.com](http://BernardWelds.com)

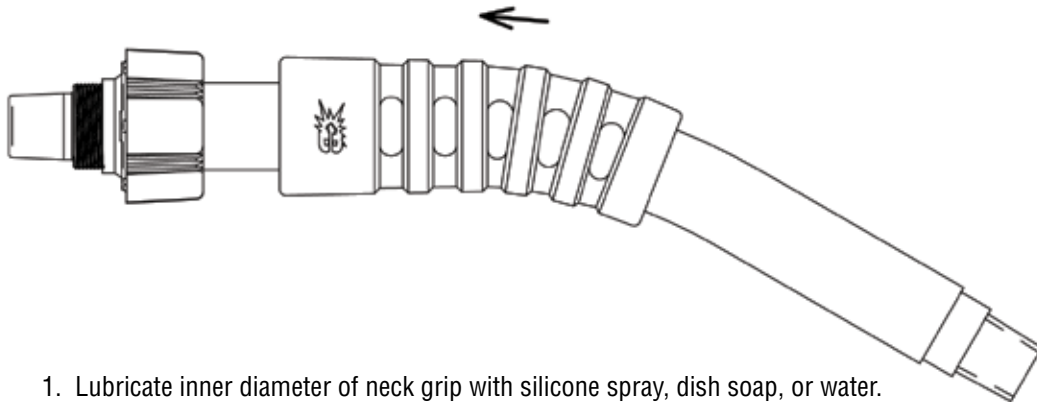


## Neck Coupler Installation Instructions



1. Install rubber insulator from coupler over the end of neck as shown.
2. Install coupler onto end of neck and torque to approximately 12ft-lbs.
3. After coupler is installed onto neck, slide rubber insulator over to cover exposed brass on coupler.
4. Install second neck into coupler and tighten by hand or with a wrench.
5. Install snap-on nut cover over locknut for hand tightened necks, or the rubber boot for wrench tightened necks.

## Neck Grip Installation Instructions



1. Lubricate inner diameter of neck grip with silicone spray, dish soap, or water.
2. Install over neck armor and move to desired position. Neck grip can be used in place of rubber insulator for wrench tightened necks.